

NA4908-RSR-XL

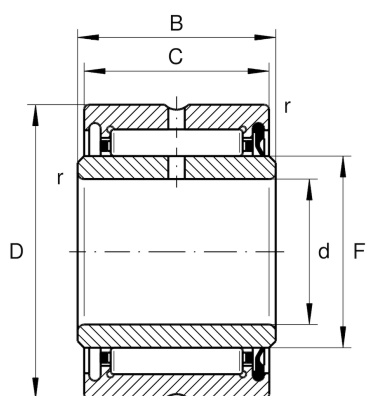
Needle roller bearing

Schaeffler ID:
0507738520000

Needle roller bearings NA49..-RSR,
dimension series 49, lip seal on one side

X-life

Technical information



Main Dimensions & Performance Data

| | | |
|------------------------|-------------|---------------------------------------|
| d | 40 mm | Bore diameter |
| D | 62 mm | Outside diameter |
| B | 23 mm | Width, inner ring |
| C_r | 41,000 N | Basic dynamic load rating, radial |
| C_{0r} | 53,000 N | Basic static load rating, radial |
| C_{ur} | 9,000 N | Fatigue load limit, radial |
| $n_{G \text{ Grease}}$ | 5,500 1/min | Limiting speed for grease lubrication |
| | 235.56 g | Weight |

Dimensions

| | | |
|------------|--------|-----------------------------|
| F | 48 mm | Raceway diameter inner ring |
| C | 22 mm | Width, outer ring |
| r_{\min} | 0.6 mm | Minimum chamfer dimension |

Temperature range

| | | |
|------------|--------|----------------------------|
| T_{\min} | -20 °C | Operating temperature min. |
| T_{\max} | 100 °C | Operating temperature max. |